

# Calypso FLU Series



### FEATURES & OPTIONS

#### Door Preparation

Cross Bore: 2-1/8", Edge: 1"

#### Latch Backset

Exterior: 2-3/8" deadlatch standard  
Interior: 2-3/8" plainlatch standard  
(other options available)

#### Faceplate

1" x 2-1/4" round corner standard  
(other options available)

#### Bolt

1/2" throw

#### Door Thickness

Fit 1-3/8" to 1-3/4" standard  
(extension kit available for 1-3/4" to 2-1/4" door)

#### Cylinder

5-pin KW keyway solid brass cylinder standard  
5-pin SC "C" keyway available

#### Strike Plate

2-1/4" x 1-3/4" round corner full lip standard  
(other options available)

#### Handing

Non-Handed

#### Material

Zinc die-cast lever

#### ANSI/BHMA

A 156.2 Grade 3

### FINISHES

(other finishes available upon request with lead-time)

- US3 – 605 – Polished Brass
- US5 – 609 – Antique Brass
- US32D – 630 – Satin Stainless Steel

### CODE COMPLIANCE

#### Meets ADA Requirements

- Entry w/ ADA (FLU07/FLU07C)
- Privacy w/ ADA (FLU08/FLU08C)



ADA

### WARRANTY

- Lifetime mechanical warranty
- Five years finish warranty

### FUNCTIONS

#### Entry – F109 (FLU00)

Both lever locked or unlocked by key outside or turn-piece inside.

#### Privacy – F76 (FLU01)

Both levers locked or unlocked by turn-piece inside. Outside lever unlocked by coin or screwdriver.

#### Bathroom-Split Finish – F76 (FLU09)

Same function as Privacy. Inside lever is Polished Chrome.

#### Passage – F75 (FLU03)

Both levers always free.

#### Half Dummy (FLU04)

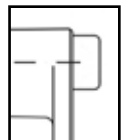
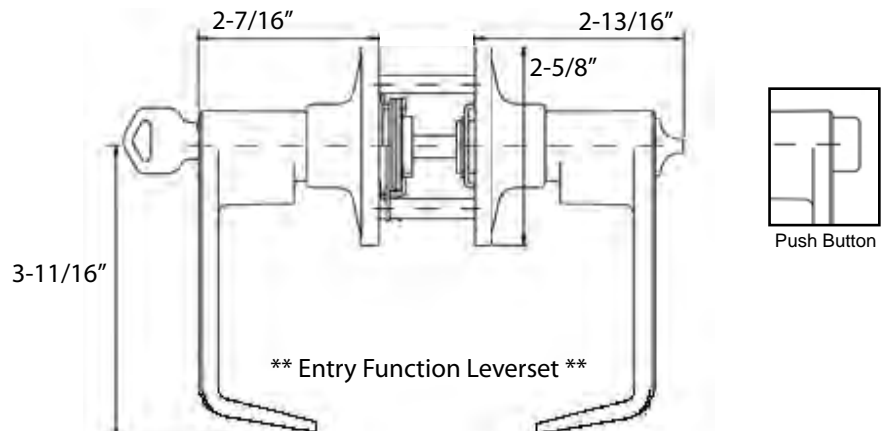
For doors where only pull is required.

#### Entry w/ ADA – F109 (FLU07/FLU07C)

Outside lever locked or unlocked by key. Inside lever locked by turn-piece(FLU07) / push-button(FLU07C) and always free with quick release function. No unlocking required for panic exit.

#### Privacy w/ ADA – F76 (FLU08/FLU08C)

Outside lever lock or unlocked by coin or screwdriver. Inside lever locked by turn-piece(FLU08) / push-button(FLU08C) and always free with quick release function. No unlocking required for panic exit.



Push Button

\*\* Entry Function Leverset \*\*