

Lexington

FS7 Series



FEATURES & OPTIONS

Door Prep.

Cross Bore: 2-1/8", Edge: 1"
Center to Center: 5"

Interior Trim

FT3-Saturn knob interior trim
FTF-Baron knob interior trim for US11P & US19
(other options available)

Latch Backset

Deadbolt: 2-3/8" deadbolt standard
Handle: 2-3/8" plainlatch standard
(other options available)

Faceplate

1" x 2-1/4" round corner standard
(other options available)

Bolt

Deadbolt: 1" throw
Lever: 1/2" throw

Door Thickness

Fit 1-3/8" to 1-3/4" standard
(extension kit available for 1-3/4" to 2-1/4" door)

Cylinder

5-pin KW keyway solid brass cylinder standard
5-pin SC "C" keyway available

Strike Plate

Deadbolt: 2-1/4" x 1-3/4" full lip round corner standard
Handle: 2-1/4" x 1-3/4" full lip round corner standard
(other options available)

Handing

Specify handing when order lever interior trim

ANSI/BHMA

A 156.2 Grade 3

FINISHES

(other finishes available upon request with lead-time)

- USL03 – 505 – Lifetime Polished Brass
- US3 – 605 – Polished Brass
- US5 – 609 – Antique Brass
- US10B – 613 – Oil Rubbed Bronze

WARRANTY

- Lifetime mechanical warranty
- Five years finish warranty

FUNCTIONS

Single Cylinder (FS71)

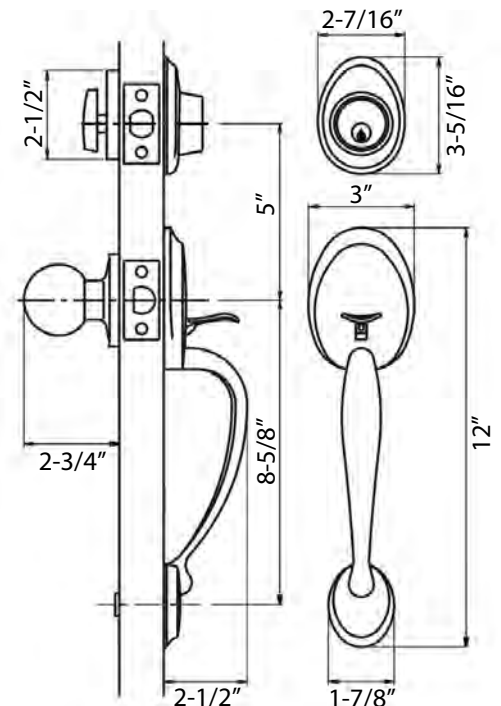
Deadbolt operated by key outside and turn-piece inside. Latchbolt operated by thumb-piece outside and knob or lever inside.

Double Cylinder (FS72)

Deadbolt operated by key on both sides. Latchbolt operated by thumb-piece outside and knob or lever inside.

Dummy (FS74)

Handle and knob or lever act as pull only. No operation.



- US15 – 619 – Satin Nickel
- US15A – 620 – Antique Nickel
- US19 – 622 – Matte Black
- US26 – 625 – Polished Chrome
- US11P – Venetian Bronze