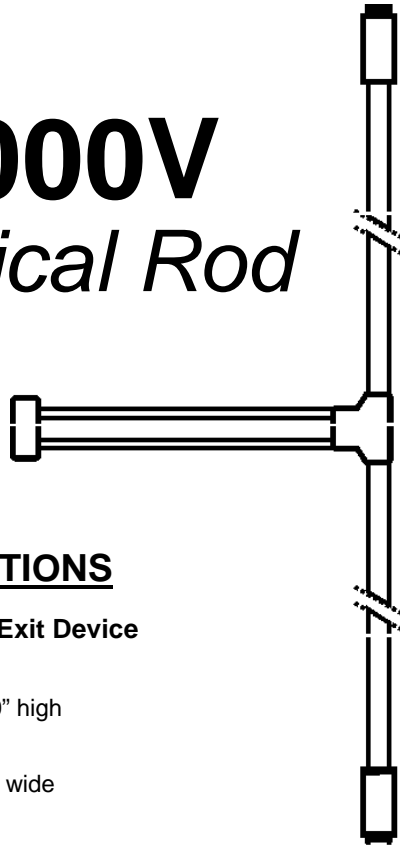


EF8000V Vertical Rod



FEATURES & OPTIONS

Fire Rated Vertical Rod Exit Device

Door Height

For all doors up to 7'0" or 8'0" high

Door Width

For all doors up to 36" or 48" wide

Stile

4-1/4" minimum

Material

Push bar is made of extruded anodize aluminum and spring is made of stainless steel

Strike (Top & Bottom)

Top Strike: for 1/2" stop, plus shim

Top Latch

Latchbolt: 3/4" throw, stainless steel
Deadlatch: 1/2" throw, steel bolt

Bottom Latch

Latchbolt: 3/4" throw, stainless steel

Mounting

Furnished standard with sheet metal & machine screws

Backset

2-3/4" standard

Handing

Non-handed

Projection

2-1/2" maximum projection, 1-7/8" when depressed

Operation

Exit by slight pressure on any point on the push bar at all time

FINISHES

- Aluminum (Painted)
- Dark Bronze (Painted)
- Polished Brass (Painted)

WARRANTY

- Ten years mechanical warranty
- Five years finish warranty



CODE COMPLIANCE

- ANSI A156.3, Grade 2
- UL listed for Panic and UL10C, UBC 7-2-1997 codes
- UL 1-1/2 Hour Fire Rated

Available Trims



Lever Trim



Knob Trim



Heavy Duty
Lever Trim
(Handed)



Rim Cylinder
Single Pull



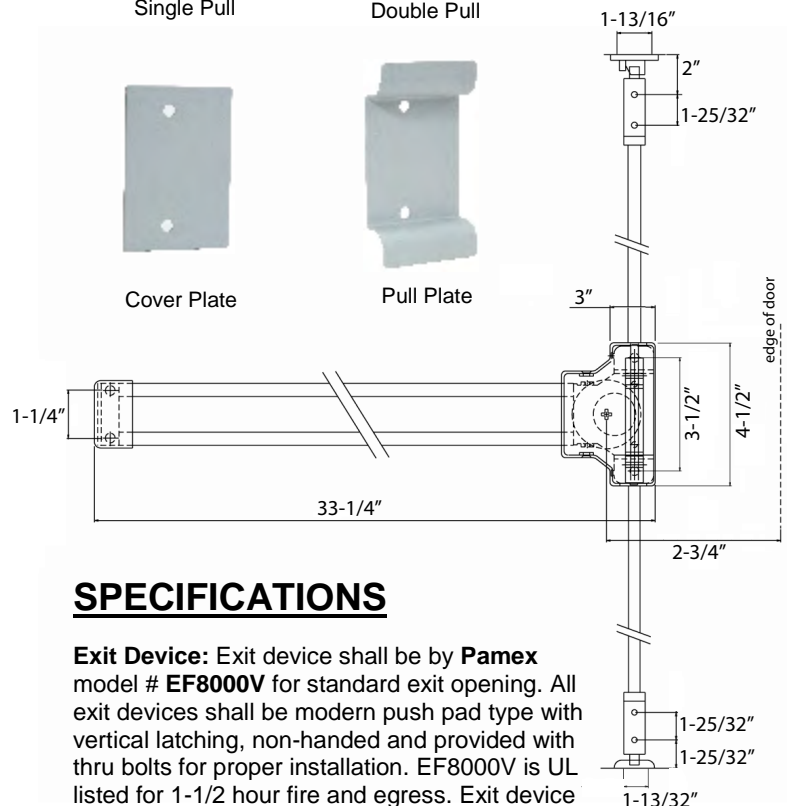
Rim Cylinder
Double Pull



Cover Plate



Pull Plate



SPECIFICATIONS

Exit Device: Exit device shall be by Pamex model # EF8000V for standard exit opening. All exit devices shall be modern push pad type with vertical latching, non-handed and provided with thru bolts for proper installation. EF8000V is UL listed for 1-1/2 hour fire and egress. Exit device shall be narrow profile; projecting only 2-1/4" from the surface of the door.