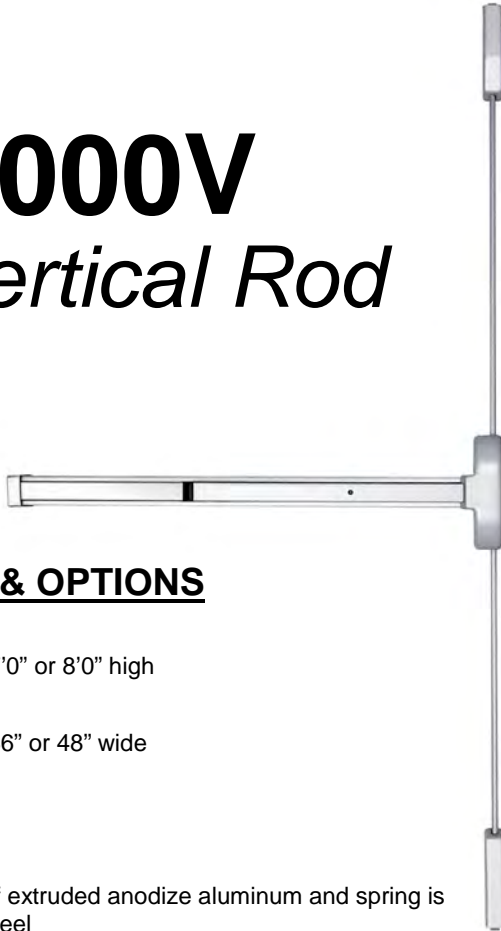


# E5000V

## Vertical Rod



### FEATURES & OPTIONS

#### Door Height

For all doors up to 7'0" or 8'0" high

#### Door Width

For all doors up to 36" or 48" wide

#### Stile

4-1/4" minimum

#### Material

Push bar is made of extruded anodize aluminum and spring is made of stainless steel

#### Dogging

1/4" turn, hex key dogging (non-fire rated only, E5000)

#### Strike (Top & Bottom)

Top Strike: For 1/2" stop, plus shim

#### Top Latch

Latchbolt: 3/4" throw, stainless steel  
Deadlatch: 1/2" throw, steel bolt

#### Bottom Latch

Latchbolt: 3/4" throw, stainless steel

#### Mounting

Furnished standard with sheet metal & machine screws

#### Backset

2-3/4" standard

#### Handing

Non-handed

#### Projection

2-1/2" maximum projection, 1-7/8" when depressed

#### Operation

Exit by slight pressure on any point on the push bar at all time

### FINISHES

- Aluminum (Painted)
- Dark Bronze (Painted)
- Stainless Steel

### WARRANTY

- Ten years mechanical warranty
- Five years finish warranty



### CODE COMPLIANCE

- ANSI A156.3, Grade 1
- UL listed for Panic and UL10C, UBC 7-2-1997 codes

### Available Trims



Lever Trim



Knob Trim



Heavy Duty  
Lever Trim  
(Handed)



Rim Cylinder  
Single Pull



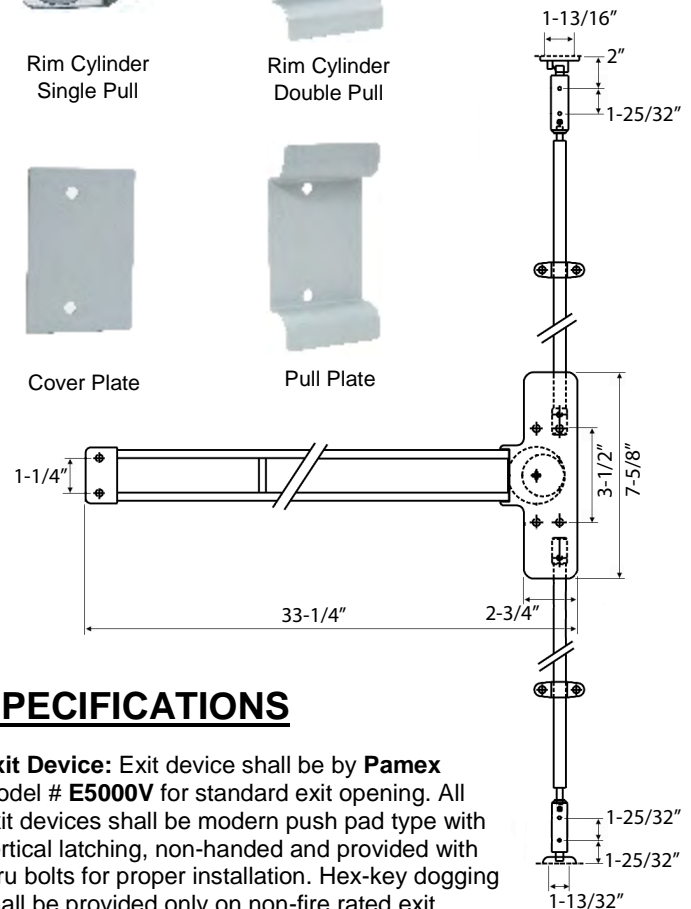
Rim Cylinder  
Double Pull



Cover Plate



Pull Plate



### SPECIFICATIONS

**Exit Device:** Exit device shall be by Pamex model # E5000V for standard exit opening. All exit devices shall be modern push pad type with vertical latching, non-handed and provided with thru bolts for proper installation. Hex-key dogging shall be provided only on non-fire rated exit device. Exit device shall be narrow profile; projecting only 2-1/4" from the surface of the door