

# Newport FIYE5 Series



Interior Assembly

### FEATURES & OPTIONS

#### Door Prep.

Cross Bore: 2-1/8"

Edge: 1-1/8"

Center to Center: 5-1/2"

(optional 4" c-t-c available upon request)

#### Latch Backset

Entry: Adjustable UL deadlatch standard

Passage: Adjustable UL plainlatch standard

Deadbolt: Adjustable UL deadbolt standard  
(other options available)

#### Faceplate

1-1/8" x 2-1/4" square corner standard  
(other options available)

#### Bolt

Lever: 1/2" throw

Deadbolt: 1" throw

#### Door Thickness

Fit 1-3/8" to 1-3/4" standard

#### Cylinder

6-pin SC "C" keyway solid brass cylinder standard

Also available in:

5-pin KW keyway

6-pin small format interchangeable core

#### Strike Plate

Lever: 2-3/4" x 1-1/8" square corner T-strike

Deadbolt: 2-3/4" x 1-1/8" square corner strike  
(other options available)

#### Handing

Specify for left or right hand doors

### FINISHES

(other finishes available upon request with lead-time)

□ US15 – 619 – Satin Nickel

### WARRANTY

- Lifetime mechanical warranty
- Five years finish warranty



### CODE COMPLIANCE

- Meets ANSI A156.12, Series 4000, Grade 2
- Meets ADA Requirements
- UL 3-Hour Fire Rated

### SPECIFICATIONS

**Interconnected Lockset:** Lock or latchset shall be by PAMEX model # FIYE5 Series. All locks shall be non-handed and provide with 3 hour UL listed latch bolt for both lever and deadbolt. Simultaneous retraction of lever and deadbolt by turning the inside lever.

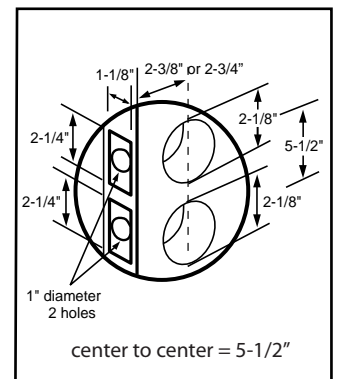
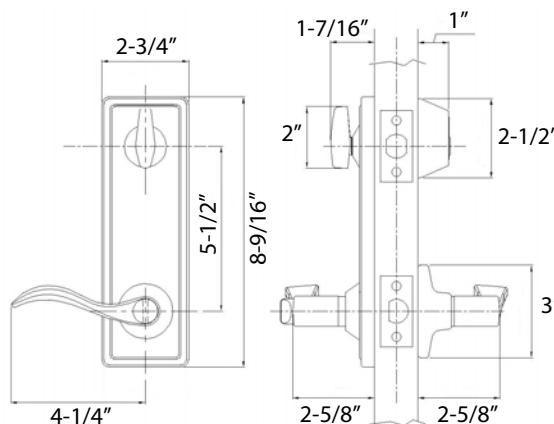
### FUNCTIONS

#### Single Locking – F95-4 (FIYE35)

**Single deadbolt w/ Passage Lever**  
Deadbolt is operated by key outside and turn-piece inside. Latchbolt retracted by lever from either side. Inside lever retracts deadbolt and deadlatch simultaneously for panic exit.

#### Double Locking – F97-4 (FIYE05)

**Single Deadbolt w/ Entry Lever**  
Deadbolt is operated by key outside and turn-piece inside. Lever locked or unlock by key outside and turn-piece inside. Inside lever retreats deadbolt and deadlatch simultaneously for panic exit.



Newport series door preparation