

Fremont FIN5 Series



Interior Assembly

FEATURES & OPTIONS

Door Prep.

Cross Bore: 2-1/8"

Edge: 1-1/8"

Center to Center: 5-1/2"

(optional 4" c-t-c available upon request)

Latch Backset

Entry: Adjustable UL deadlatch standard

Passage: Adjustable UL plainlatch standard

Deadbolt: Adjustable UL deadbolt standard

(other options available)

Faceplate

1-1/8" x 2-1/4" square corner standard

(other options available)

Bolt

Lever: 1/2" throw

Deadbolt: 1" throw

Door Thickness

Fit 1-3/8" to 1-3/4" standard

Cylinder

6-pin SC "C" keyway solid brass cylinder standard

Also available in:

5-pin KW keyway

6-pin small format interchangeable core

Strike Plate

Lever: 2-3/4" x 1-1/8" square corner T-strike

Deadbolt: 2-3/4" x 1-1/8" square corner strike
(other options available)

Handing

Reversible for left or right hand doors

FINISHES

(other finishes available upon request with lead-time)

US15 – 619 – Satin Nickel

US10B – 613 – Oil Rubbed Bronze

WARRANTY

- Lifetime mechanical warranty
- Five years finish warranty



CODE COMPLIANCE

- Meets ANSI A156.12, Series 4000, Grade 2
- Meets ADA Requirements
- UL 3-Hour Fire Rated

SPECIFICATIONS

Interconnected Lockset: Lock or latchset shall be by PAMEX model # FIN5 Series. All locks shall be non-handed and provide with 3 hour UL listed latch bolt for both lever and deadbolt. Simultaneous retraction of lever and deadbolt by turning the inside lever.

FUNCTIONS

Single Locking – F95-4 (FIN35) ⚡

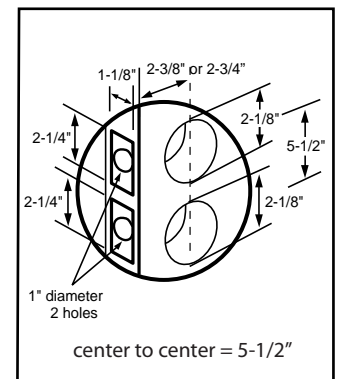
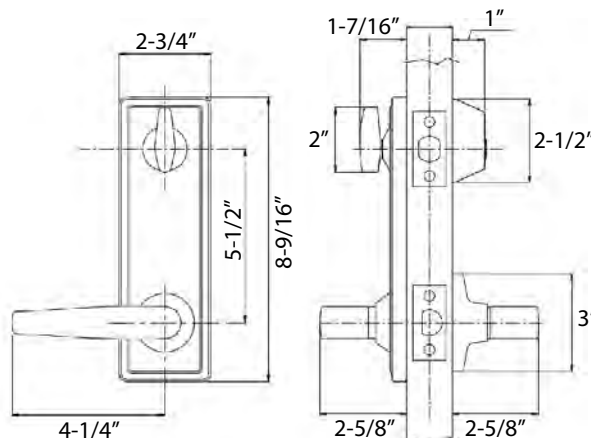
Single deadbolt w/ Passage Lever

Deadbolt is operated by key outside and turn-piece inside. Latchbolt retracted by lever from either side. Inside lever retracts deadbolt and deadlatch simultaneously for panic exit.

Double Locking – F97-4 (FIN05)

Single Deadbolt w/ Entry Lever

Deadbolt is operated by key outside and turn-piece inside. Lever locked or unlock by key outside and turn-piece inside. Inside lever retreats deadbolt and deadlatch simultaneously for panic exit.



Fremont series door preparation