

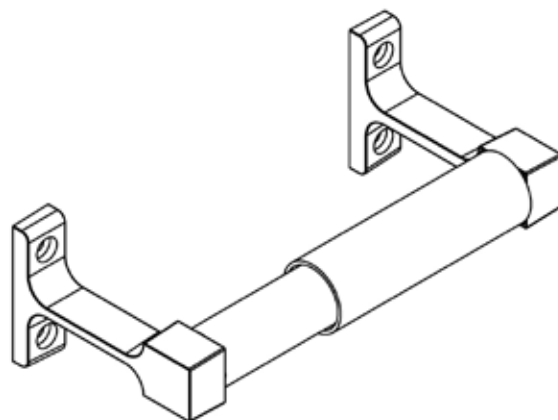
### Surface Paper Holder (White roller)

Model: BE2-41

#### Features

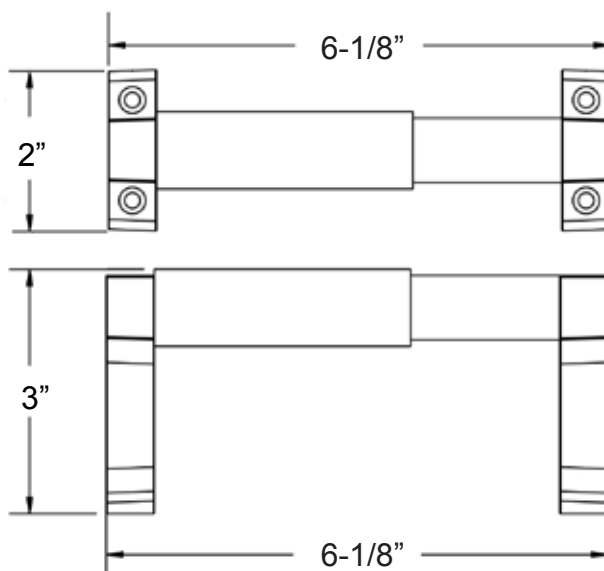
- Material: Zinc Die-cast
- Exposed Screw Surface Mount Application
- Provided with
  - Plastic Anchors x 4
  - Steel Phillips Head Screws #8 x 1-1/4"
- Projection: 3" from Mounting Surface
- Spring Load Plastic Paper Holder Roller  
7/8" Diameter x 6"
- Overall Size: 2" x 6-1/8"

*Easton*  
*Collection*



#### Available Finish:

- Chrome



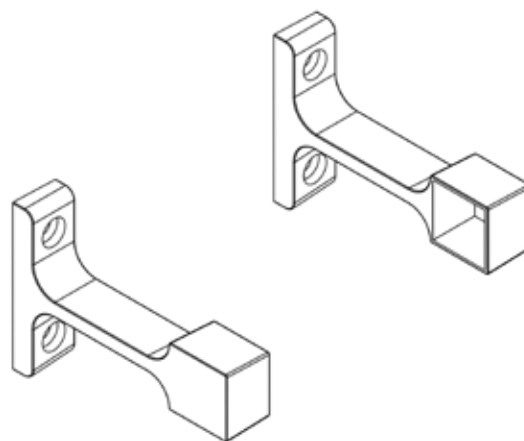
## Towel Shelf Post (5/8" square)

Model: BE3-15800

### Features

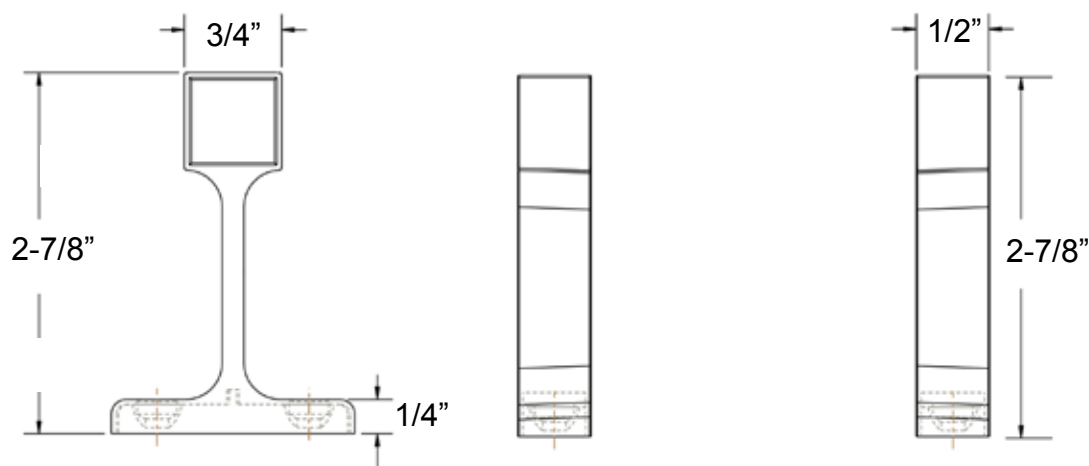
- Material: Zinc Die-cast
- Exposed Screw Surface Mount Application
- Provided with
  - Plastic Anchors x 4
  - Steel Phillips Head Screws #8 x 1-1/4"
- Projection: 2-7/8" from Mounting Surface
- Overall Size: 1/2" x 2"

## *Easton* Collection



### Available Finish:

- Chrome



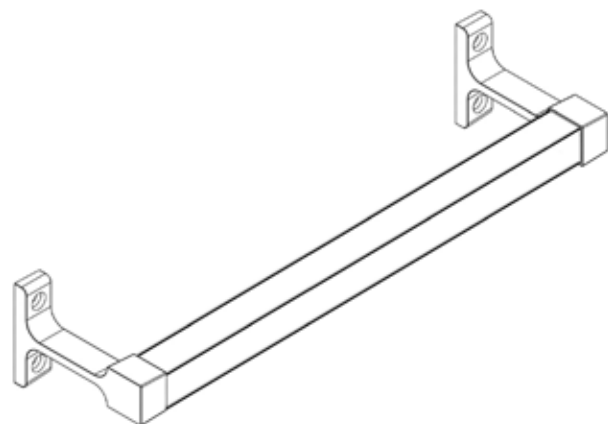
## 18" x 5/8" Towel Shelf (square bar)

Model: BE3-15818

### Features

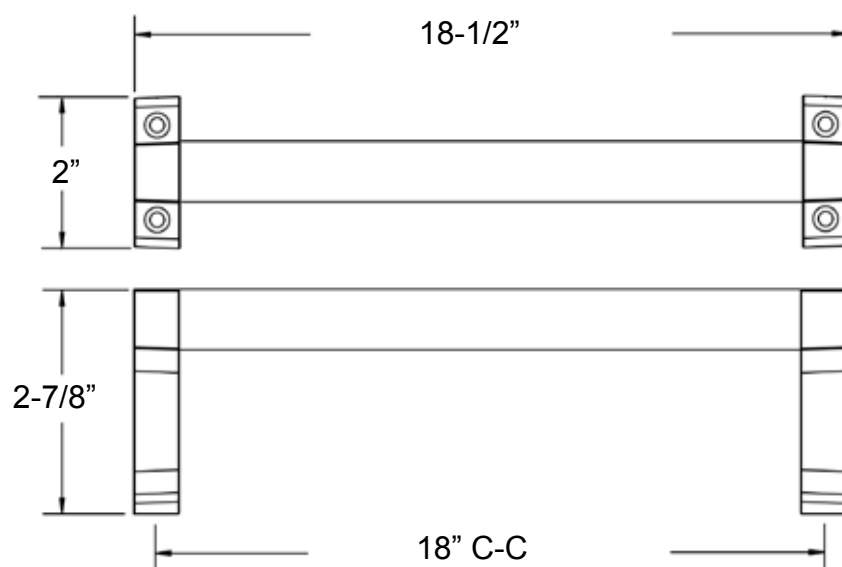
- Material: Zinc Die-cast
- Exposed Screw Surface Mount Application
- Provided with
  - Plastic Anchors x 4
  - Steel Phillips Head Screws #8 x 1-1/4"
- Projection: 2-7/8" from Mounting Surface
- Overall Size: 2" x 18-1/2"

*Easton*  
Collection



### Available Finish:

- Chrome



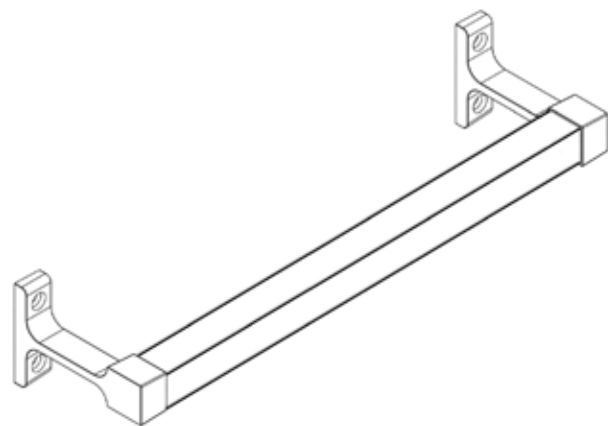
### 24" x 5/8" Towel Shelf (square bar)

Model: BE3-15824

#### Features

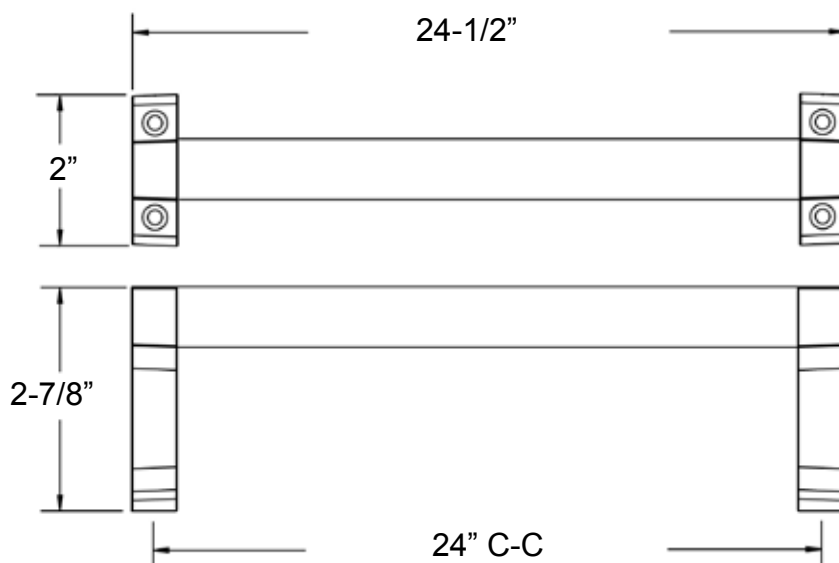
- Material: Zinc Die-cast
- Exposed Screw Surface Mount Application
- Provided with
  - Plastic Anchors x 4
  - Steel Phillips Head Screws #8 x 1-1/4"
- Projection: 2-7/8" from Mounting Surface
- Overall Size: 2" x 24-1/2"

*Easton*  
Collection



#### Available Finish:

- Chrome



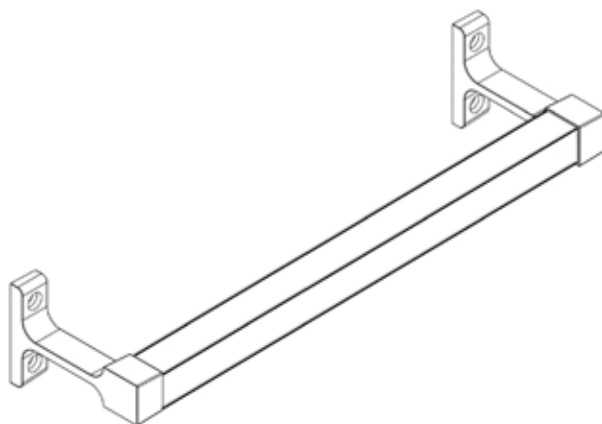
## 30" x 5/8" Towel Shelf (square bar)

Model: BE3-15830

### Features

- Material: Zinc Die-cast
- Exposed Screw Surface Mount Application
- Provided with
  - Plastic Anchors x 4
  - Steel Phillips Head Screws #8 x 1-1/4"
- Projection: 2-7/8" from Mounting Surface
- Overall Size: 2" x 30-1/2"

*Easton*  
Collection



### Available Finish:

- Chrome

