



New

Removable Cylinder Deadbolt

Best deadbolt solution for property management!

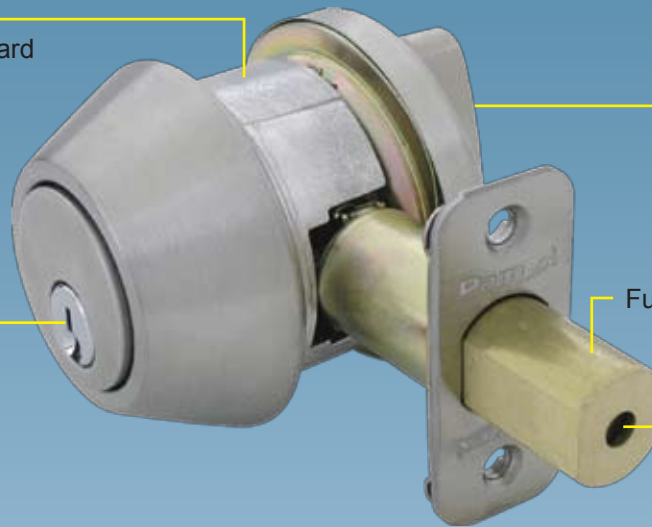
2-1/2" dia. all metal one piece heavy duty tapered cylinder guard and metal insert

ADA Ergonomic turn piece

Removable cylinder

Full 1" throw deadbolt for solid security

Concealed 1/4" hardened steel roller



**ANSI Grade 2
UL Listed Latch Available
Meet ADA Compliance**



How to exchange cylinders:



Yes, it's in stock now!

Specifications

| | |
|-----------------------|---|
| Door Prep. | Crossbore: 2-1/8", Edge Bore:1" |
| Latch Backset | 2-3/8" round corner deadbolt standard for FD861 series. Adj. round corner 3-hour fire rated UL deadbolt standard for FD861UL series. |
| Door Thickness | Fits 1-3/8" to 1-3/4" door. |
| Cylinder | KW 5-pin removable cylinder. Zinc die-cast housing. SC 6-pin and 5-pin removable cylinder available. |
| Faceplate | 1"x2-1/4" round corner standard. Other options available. |
| Strike Plate | 2-3/4"x1-1/8" high full lip square corner standard. Other options available. |
| Handing | Reversible for right or left handed doors. |
| Bolt | 1" throw. |
| ANSI/BHMA | A 156.2 Grade 2 |
| Finish | US32D-Stainless Steel (Other finishes available with factory lead-time.) |

| Model# | Function | Finish | Qty /Case | Lbs /Case | List Price |
|----------------|--|--------|-----------|-----------|------------|
| FD861 | Single cylinder w/ 2-3/8" non-UL latch | US32D | 24 | 45 | \$37.66 |
| FD861UL | Single cylinder w/adj. UL listed latch | US32D | 24 | 45 | \$47.40 |

